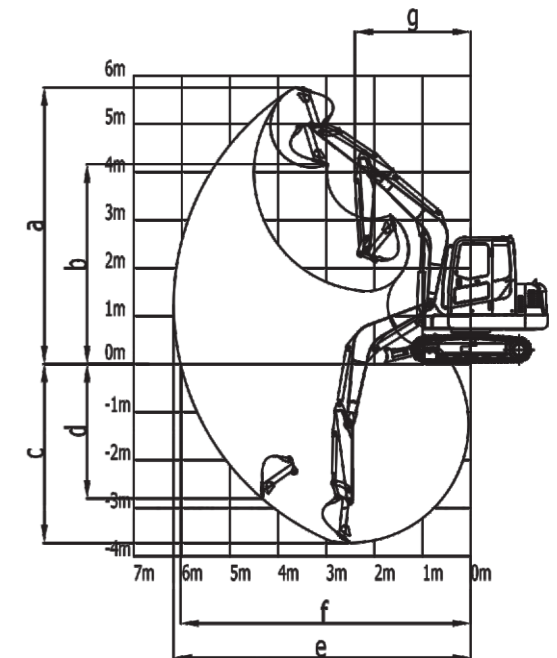
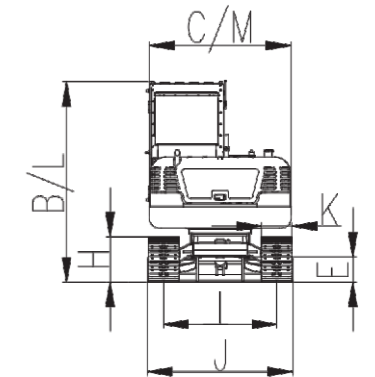
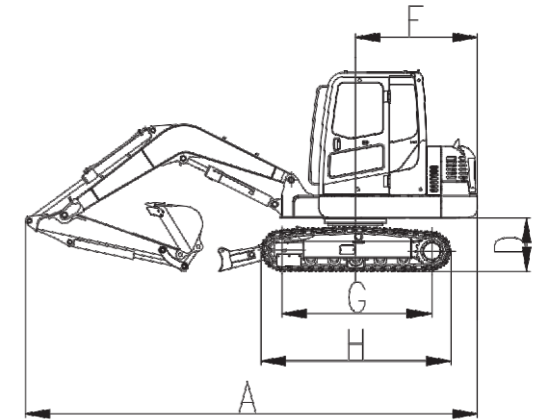




# SWE60E



- ◆ China's first custom-developed special small engine;
- ◆ Equipped with large parallel radiators to ensure the normal operation of the engine for a long time;
- ◆ The upper carriage is enlarged, with reasonably distributed center of gravity, good stability, and magnificent appearance;
- ◆ The fuel tank capacity is increased with long endurance.



ENGINE		UNIT	SWE60E
Working weight		kg	6000
Capacity of bucket		m <sup>3</sup>	0.22
Engine	Brand		YANMAR
	Type		4TNV94L-BVSUC
	Rated output power	kW/rpm	36.2/2100
Dimension parameters	A Transportation length	mm	5875
	B Transportation height	mm	2615
	C Total width	mm	1900
	D Counterweight ground clearance	mm	700
	E Min. ground clearance	mm	320
	F Tail slewing radius	mm	1600
	G Ground contact length of track	mm	1965
	H Track length	mm	2495
	I Track gauge	mm	1480
	J Track width	mm	1880
	K Creeper tread width	mm	400
	L Cab height	mm	2615
	M Turntable width	mm	1900
	Scope of work	a Maximum excavation height	mm
b Maximum dumping height		mm	4160
c Maximum digging depth		mm	3730
d Maximum vertical digging depth		mm	2800
e Maximum digging radius		mm	6175
f Maximum digging radius on ground		mm	6030
g Min. slewing radius		mm	2410
Swing arm length		mm	3000
Bucket arm length		mm	1600
Bucket arm digging force		kN	31
Bucket digging force		kN	47
Speed (high/low)		km/h	4.07/2.43
Slewing speed		rpm	9.4
Fuel tank capacity		L	113
Hydraulic fuel tank capacity		L	96